

PRODUCT INFORMATION MODEL OD0318 BABOO

© 2018 KURT BEIER & KATI QUINGER



Motorised functional back and footrest, head flap, manual



360° rotary function



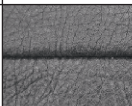
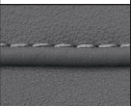


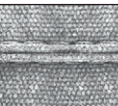
Pocket for remote control

OD BABOO: RELAX, BEING AT PEACE WITH YOURSELF, CHANGING PERSPECTIVE. PURISTIC LOUNGE CHAIR WITH 360° SWIVEL FUNCTION. THE WIRELESS REMOTE CONTROL ENABLES SMOOTH AND INFINITE ADJUSTMENT OF SEAT AND BACK SECTION. HEADREST MANUALLY ADJUSTABLE. CROSS FRAME, COATED IN BLACK. COVERS IN FABRIC OR LEATHER, DIFFERENT SEAM TYPES AVAILABLE. TWO SEAT WIDTHS. AVAILABLE WITH BATTERY (IMAGE) OR CABLE CONNECTION. UNIQUE PIECE PRODUCTION.

Lower frame with rotary system: cross frame, metal, coated in black matt.
Attention! Maximum load: 120 kg



Processing options of main seam / decorative seam

	Plain seam	Lap seam	KR* (zipper piping) extra charge	Overcast seam extra charge	Piping
					
Outdoor fabric	x		x		
Outdoor leather	x		x		

*Zipper piping: optionally in the colours black, red, nature or light grey.

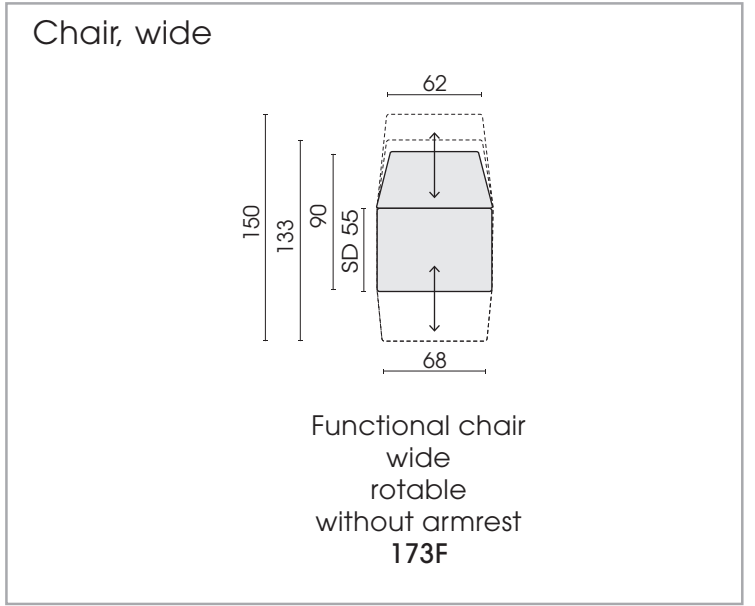
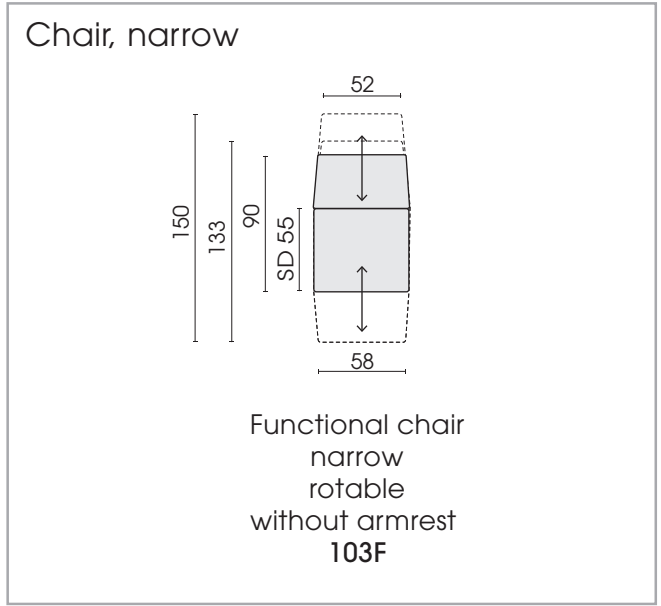
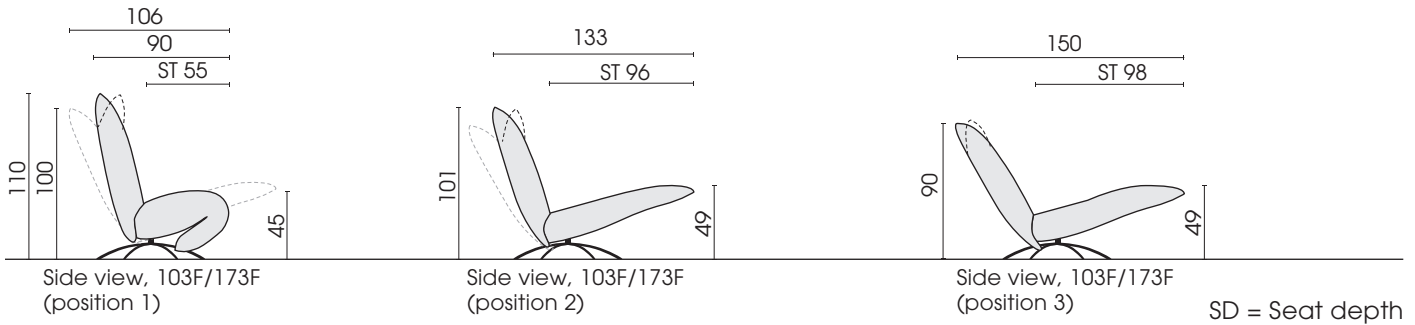
Outdoor innercover

Additional protection against moisture penetration is provided by an inner cover made of waterproof fabric. The inner cover can be selected for the respective model at an extra charge. Please specify when ordering.



CROSS FRAME

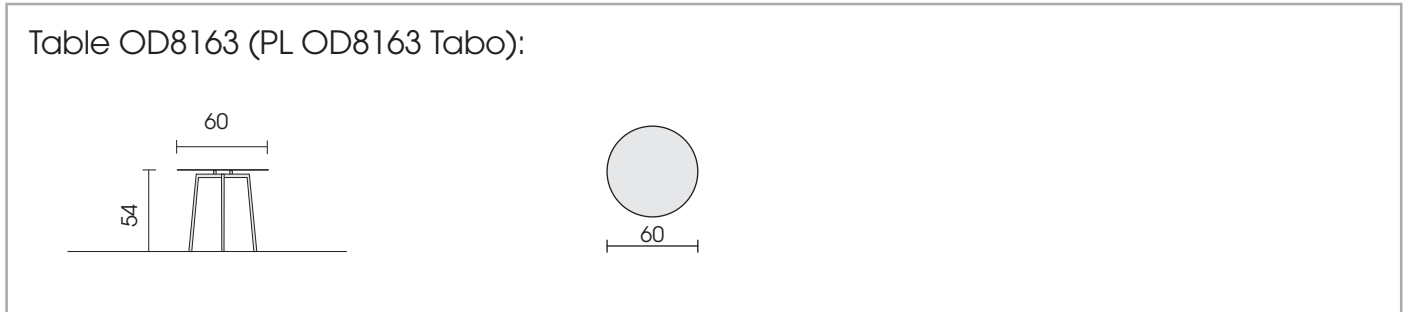
Model OD0318 Baboo is also available as indoor product!
For further informations refer to product information 0318 Baboo.



Standard version for motorised drive:

- wireless remote control
- power supply

Optionally with battery for an extra charge.



Protective cover (waterproof):

Protective cover for type 103F: **SH103F**

Protective cover for type 173F: **SH173F**

Each piece of furniture is handmade and unique. Deviations to the listed measurements may be caused by: 1. different upholstery materials (fabric, leather), 2. processing of ticking mats, 3. the pressure to combine individual parts, etc. The seat comfort of a sofa type with larger seat depth usually differs from one with lower depth.