

# ASSEMBLY AND INSTRUCTION MANUAL MODEL OD2216 FROGswing

© 2022 KURT BEIER & KATI QUINGER



Fig. OD FROGswing with sun canopy



Rocking frame: matt black fine structure powder-coated



Rocking frame: fig. with sun canopy and weather protection, opened



Rocking frame: fig. with sun canopy and weather protection, closed

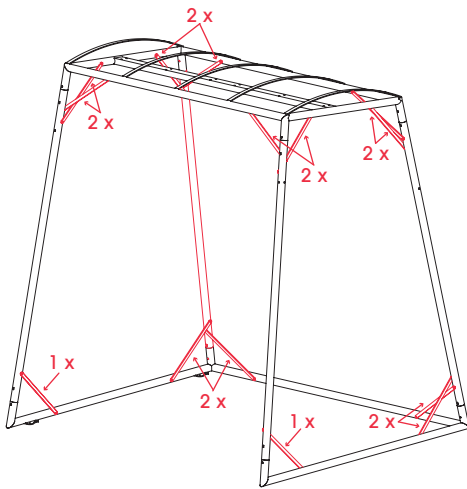
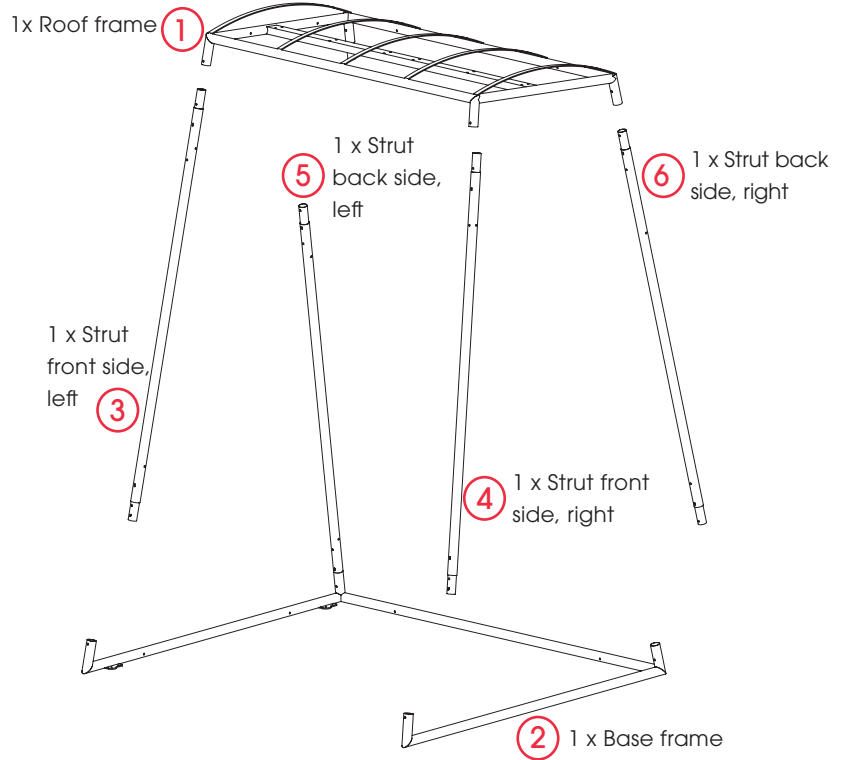
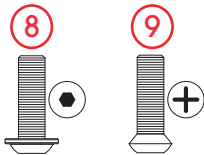
Assembly instructions, rocking frame OD FROGswing (Described at model RF. RFS works the same way):

**ATTENTION!** To ensure secure assembly, please observe the individual steps of instruction!  
**The frame should always be mounted in pairs (2 persons)!**

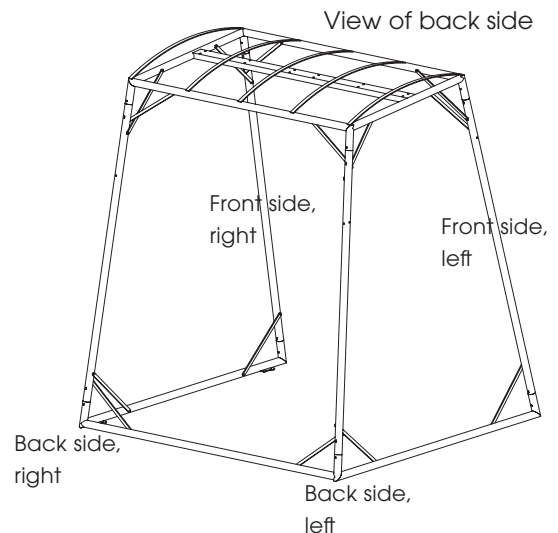
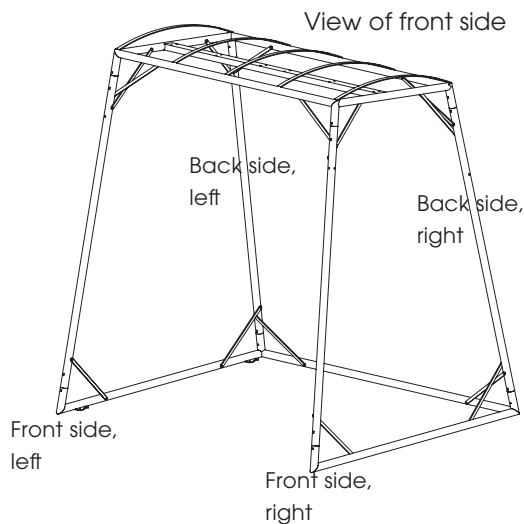
1. Unpack the individual parts of the rocking frame, place them in front of you and check the packaging for completeness.

Scope of delivery:

- 1 x Roof frame (1)
- 1 x Base frame (2)
- 1 x Strut front left (3)
- 1 x Strut front right (4)
- 1 x Strut back left (5)
- 1 x Strut back right (6)
- 14 x Stiffening (7)
- 16 x Oval-head screw with collar (8)
- ⊕ 28 x Oval-head screw (9)



Views, ready-mounted frame:



2. Insert the struts into the respective mounting brackets on the base frame. Pay attention to the marking (see fig. 1 & 2).

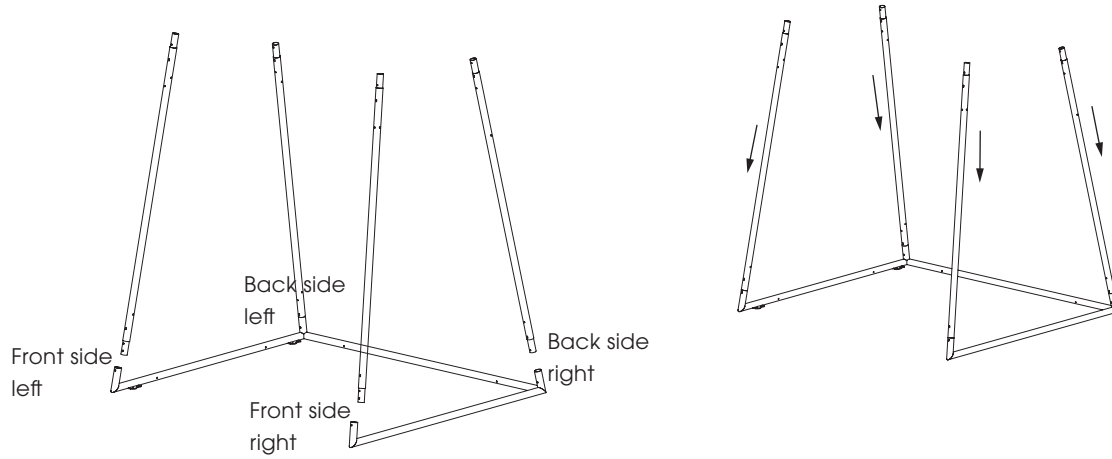
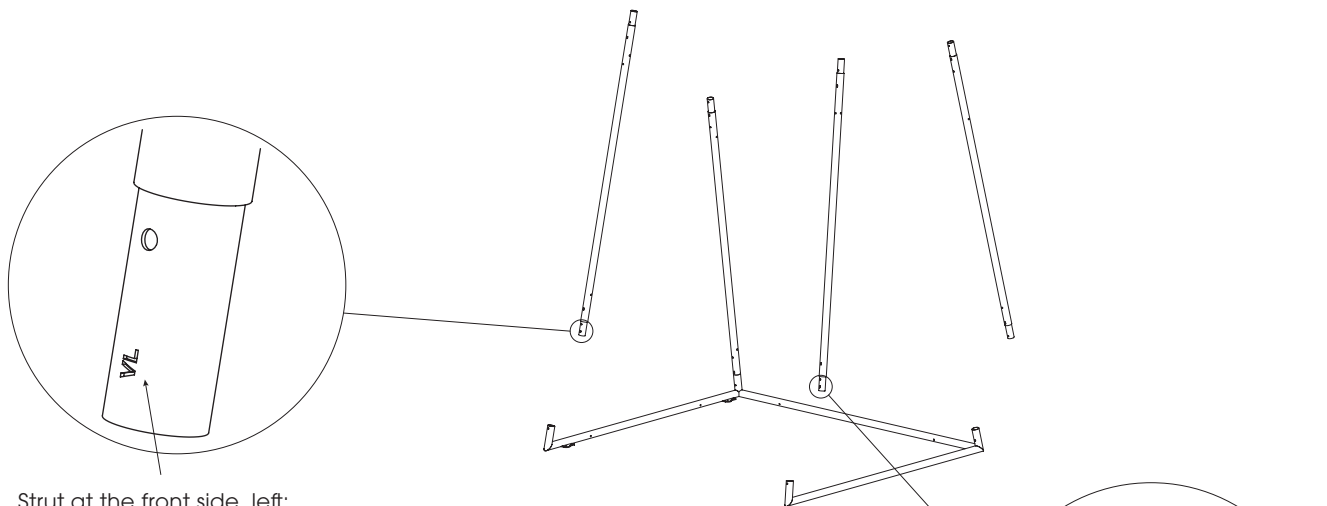
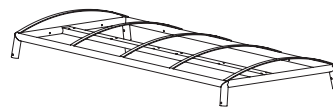


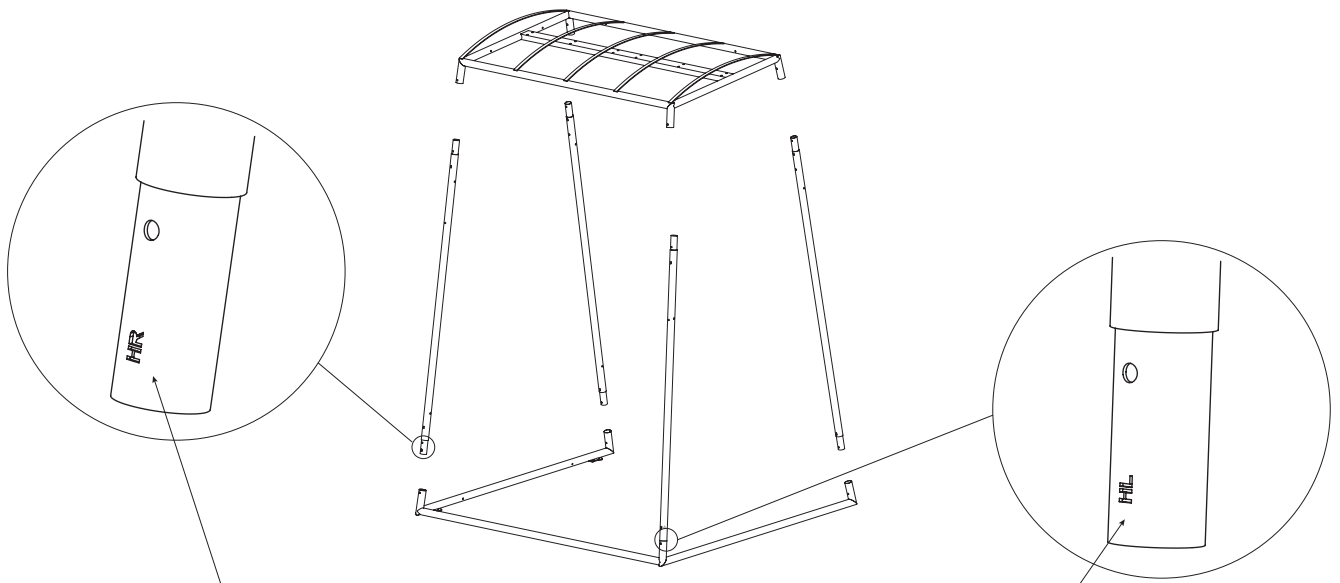
Fig. 1



Strut at the front side, left:  
marked by "VL" at the lower end of the tube. The letters "VL" must always be aligned forwards/outwards.

Brace at the front side, right:  
marked by "VR" at the lower end of the tube. The letters "VR" must always be aligned forwards/outwards.

Fig. 2



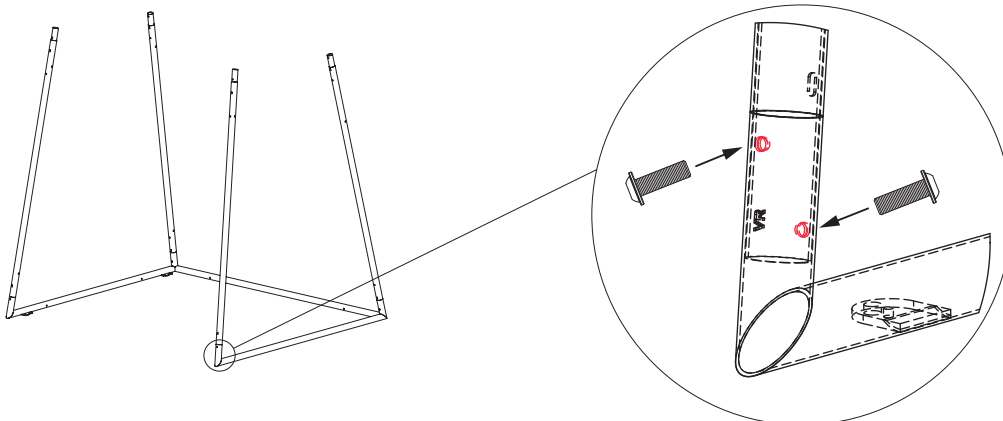
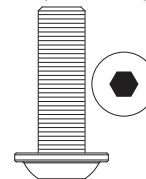
Brace at the back side, right: marked by "HR" at the lower end of the tube. The letters "HR" must always be aligned to the rear/outwards.

Strut at the back side, left: marked by "HL" at the lower end of the tube. The letters "HL" must always be aligned to the rear/outwards.

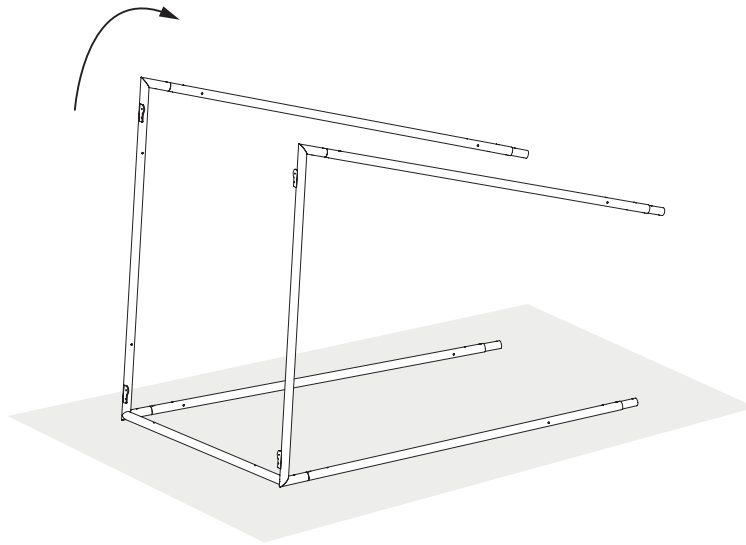
3. Now **lightly** screw in 1 screw from each side through the holes in the struts into the threads of the struts (4 x 2 screws).

**Attention: screw them on only lightly.**

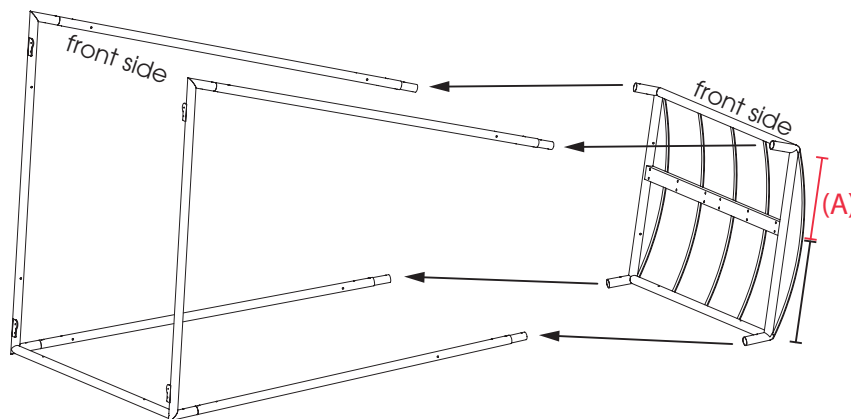
8 (M6 x 16)



4. Now tilt the frame assembly backwards. Use a suitable support to avoid damaging the frame and the floor.



5. Now put on the roof by pushing the respective pipe sockets of the roof frame onto the struts. Make sure that the smaller distance between the swing crossbar and the frame (A) is at the front.

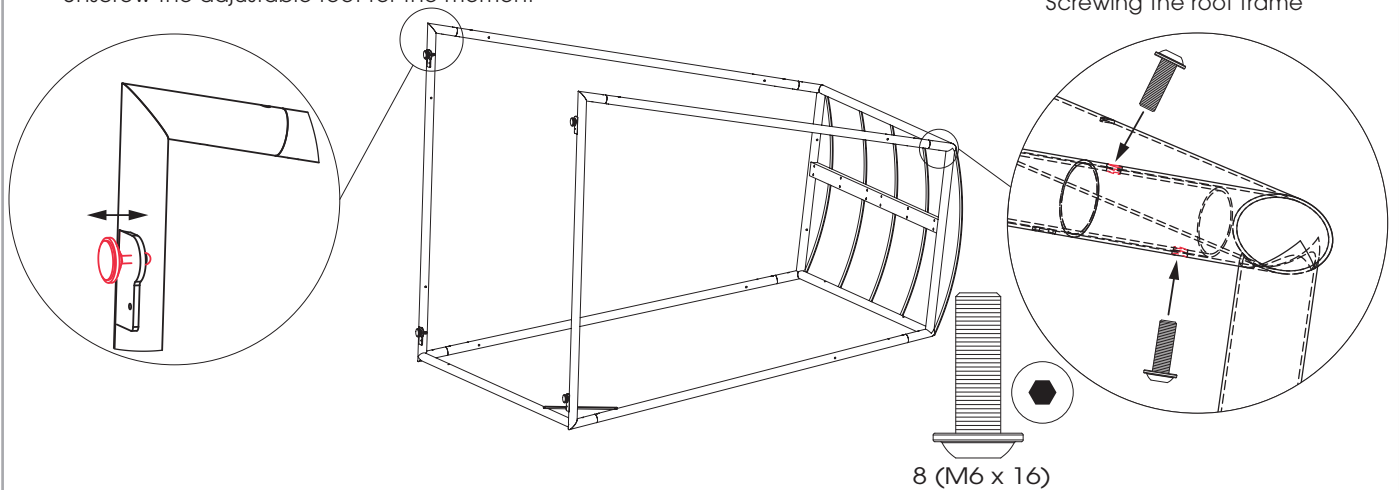


6. First screw the roof frame hand-tight to the 4 struts.

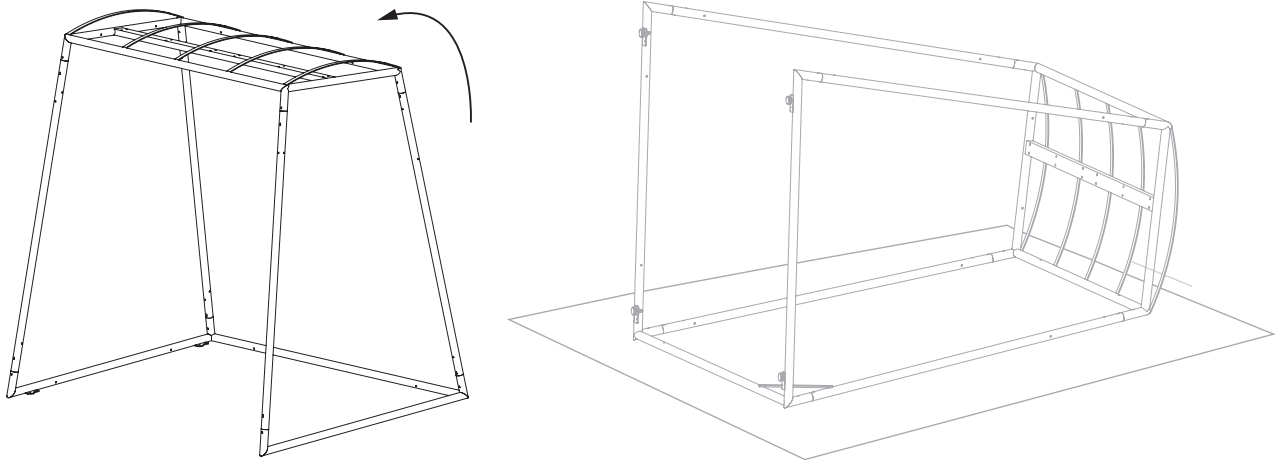
7. Info: Adjustable feet are already pre-assembled. These can usually be adjusted to compensate for uneven floors. First turn them to the highest position (all the way down).

Unscrew the adjustable feet for the moment

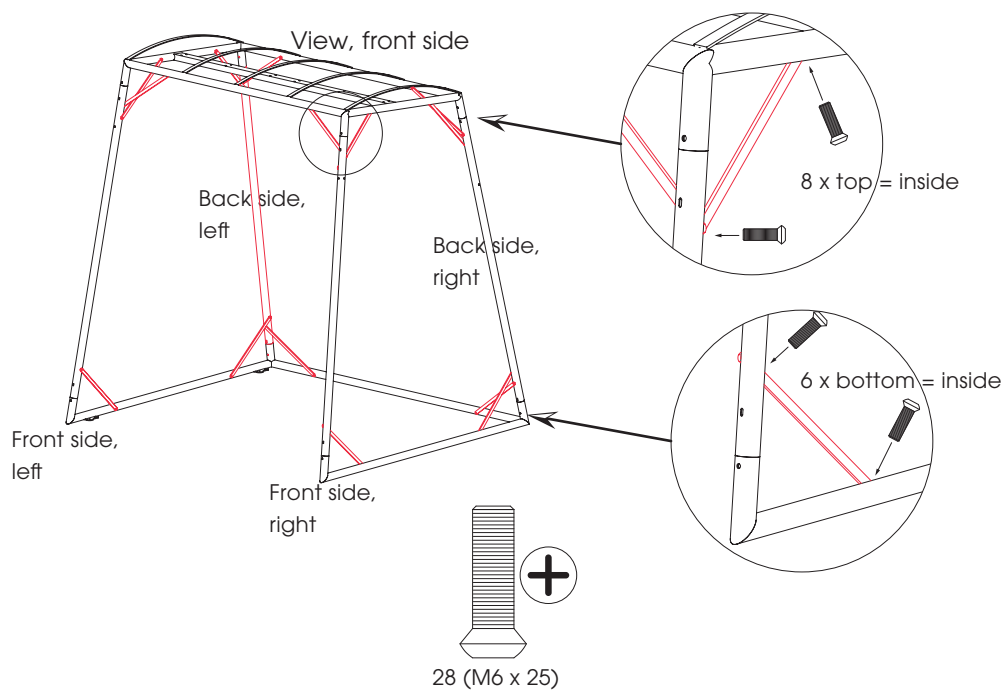
Screwing the roof frame



8. Now set the frame upright again.



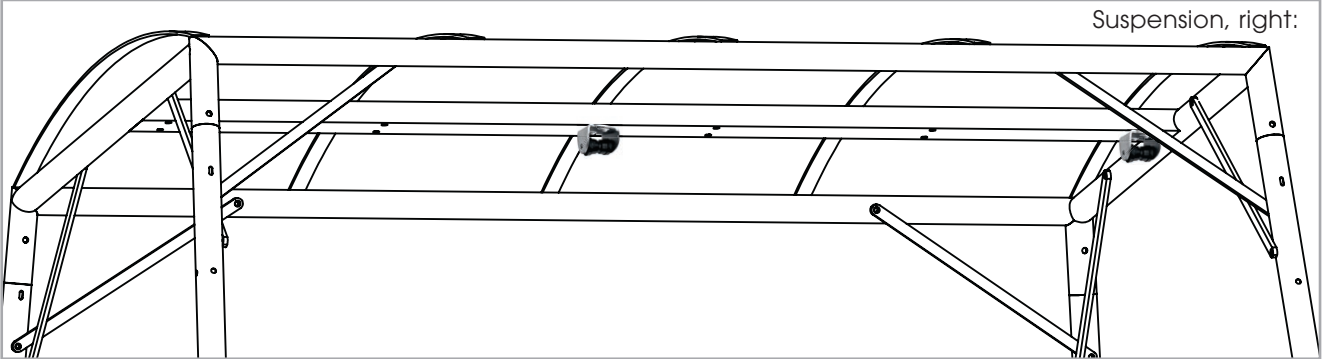
9. Insert 2 screws (14 pieces) per stiffener through the stiffeners into the threads and screw them in slightly (photo below).  
**The screws are only tightened after all stiffeners have been placed.**



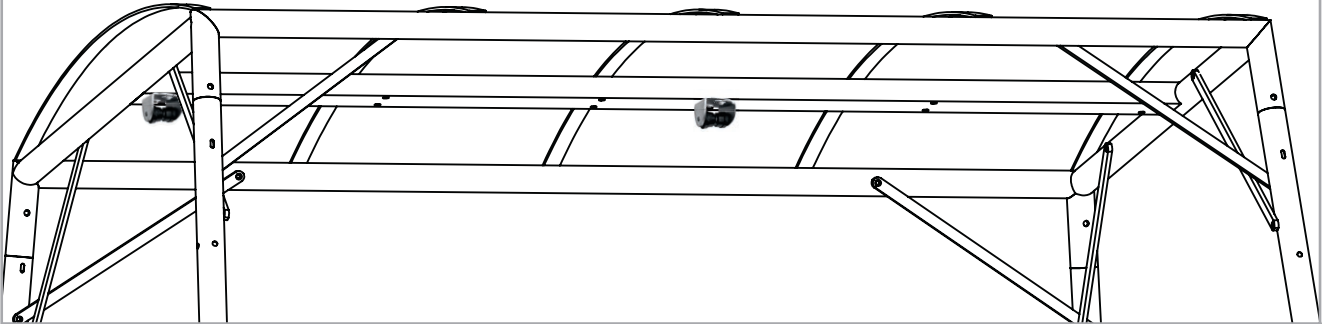
When all stiffeners are mounted, all screws can be tightened.

Assembly the rocking joints on the swing frame RF (left/right) for functional armchair OD ROCKfrog 180F/181F/182F/183F:

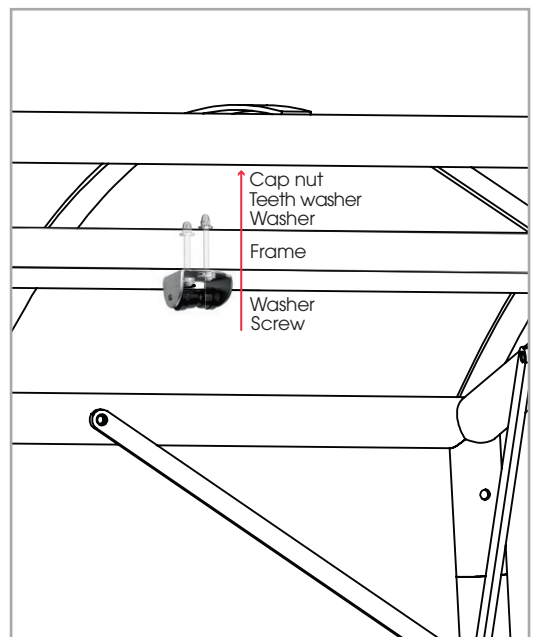
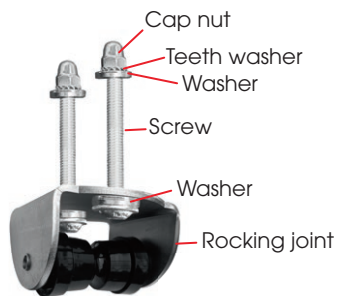
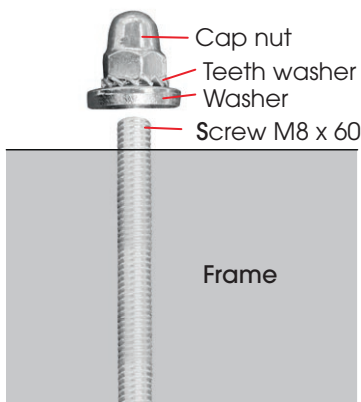
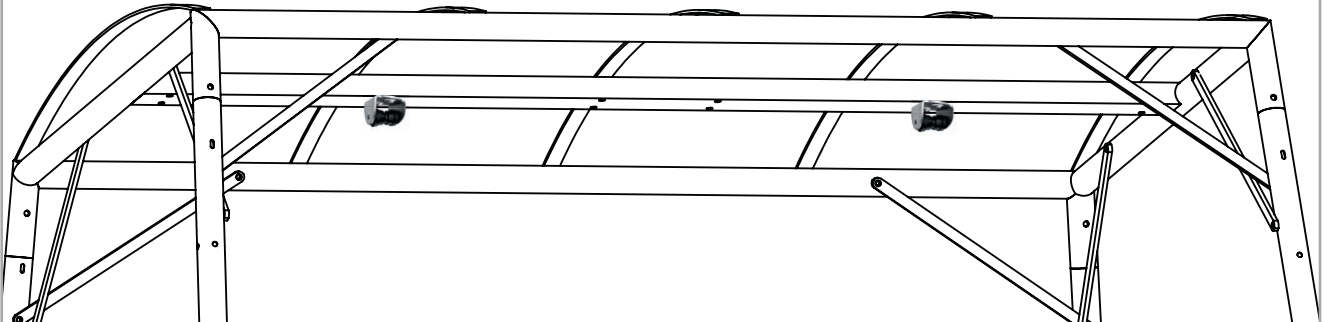
Suspension, right:



Suspension, left:

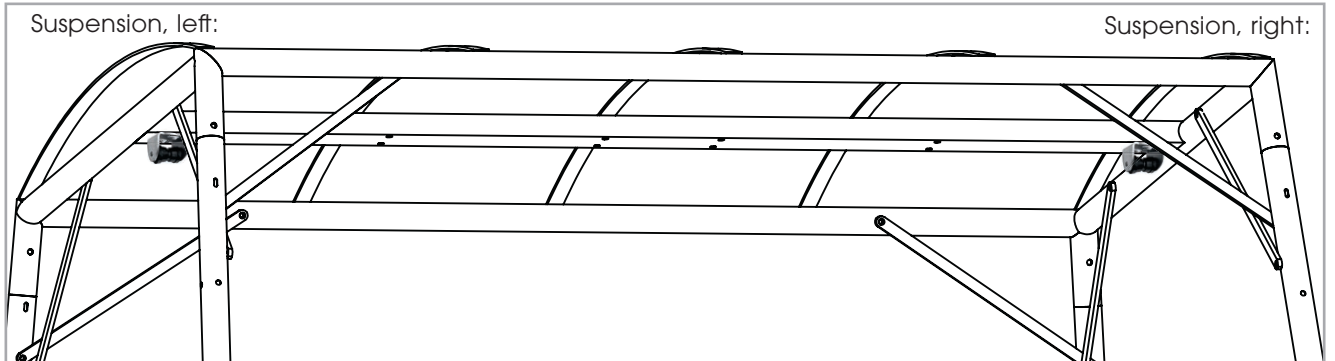


Suspension in the centre:

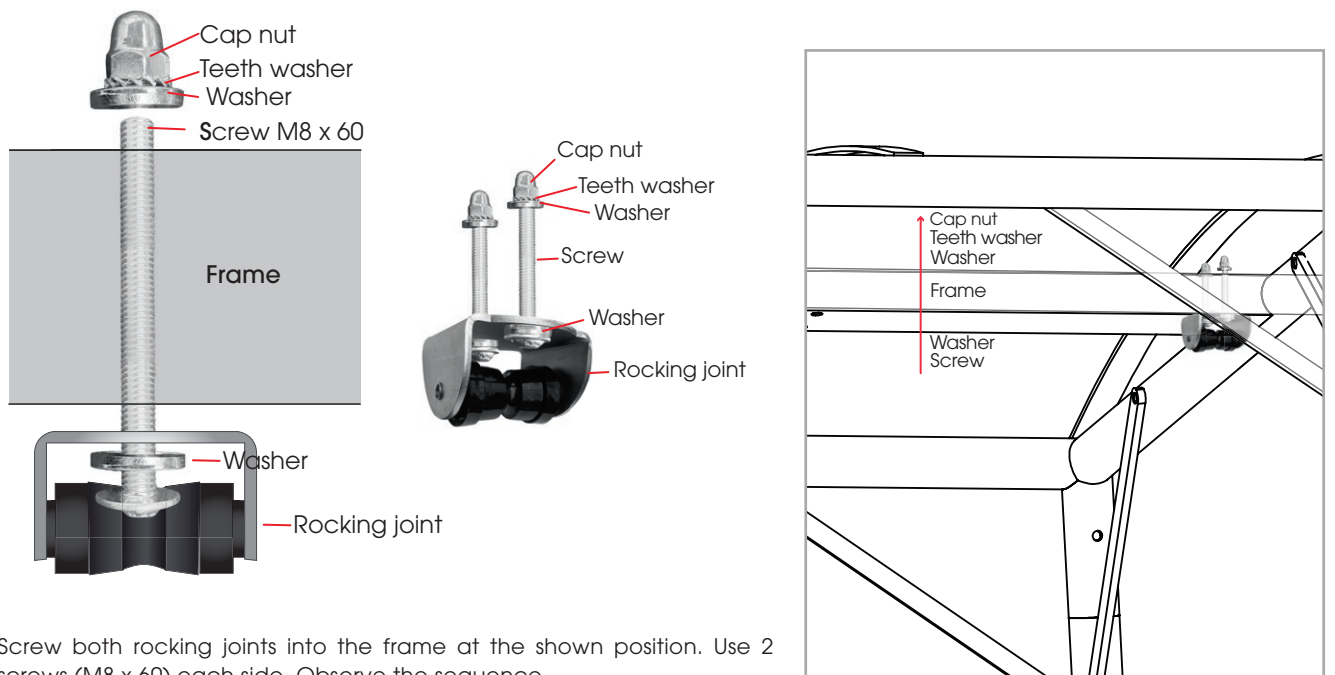
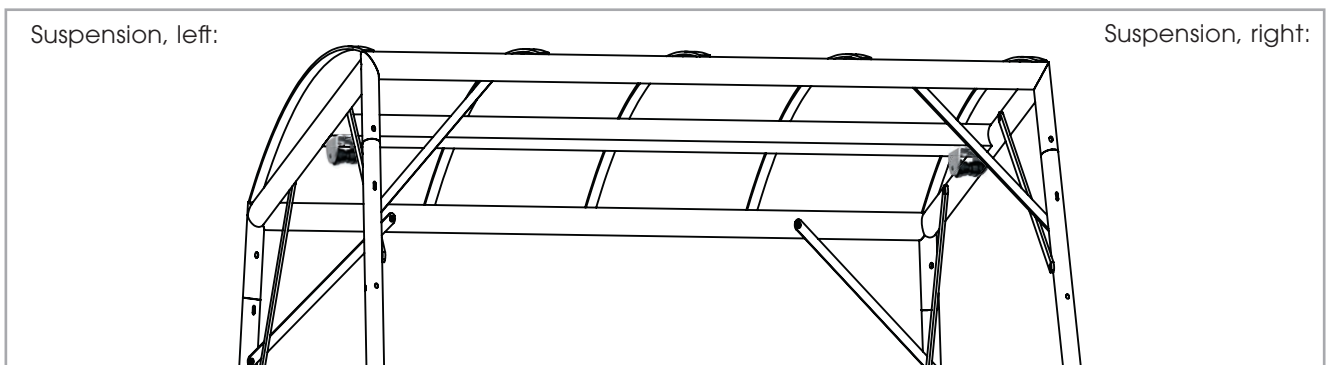


Screw both rocking joints into the frame at the desired position. Use 2 screws (M8 x 60) each side. Observe the sequence.

Assembly the rocking joints on the swing frame **RF** (left/right) for functional sofa **OD0821 ROCKfrog 200F/230F**:



Assembly the rocking joints on the swing frame **RFS**, (left/right) for functional armchair **OD0821 ROCKfrog 180F/181F/182F/183F**:



Screw both rocking joints into the frame at the shown position. Use 2 screws (M8 x 60) each side. Observe the sequence.



Assembly, sun canopy/weather protection:

Scope of delivery: ⊕ 8 x oval-head screw / 4 x flat bars + sun canopy/wheather protection



1. Pull the sun canopy onto the frame. Make sure that the corners of the cover lie neatly on the corners of the frame.
2. Now fold the cover up until you can push the flat bars through the sewn-in tunnel.



3. After you have inserted the flat bars into the tunnel, place the holes in the flat bars over the threads of the frame.



4. Screw the flat bars to the frame.

Note: No zip is sewn in when ordering a pure sun canopy instead of weather protection.





5. The weather protection is attached to the centre back (A) of the sun canopy with the 2 zips.





Opening, weather protection:



1. Open the zip at the front of the tent and fold the sides backwards.
2. Hang up the sides with the plug-in fasteners (B) on the sides.

