

ASSEMBLY AND INSTRUCTION MANUAL

MODEL OD1021 NEO

© 2021 KURT BEIER & KATI QUINGER



Modern floor upholstery
on an outdoor plateau



Stylish back cushions in 2 versions
(Switch (fig.) and Moba)



Practical stools/armrests

Use of back function, functional back, Moba, type: 609/611/612/613:

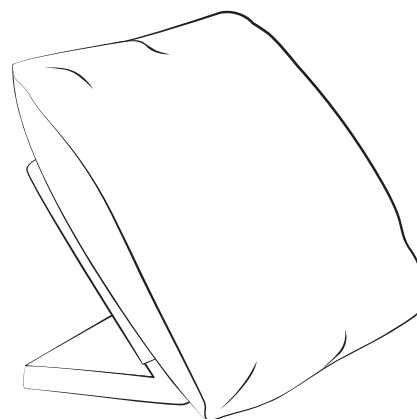
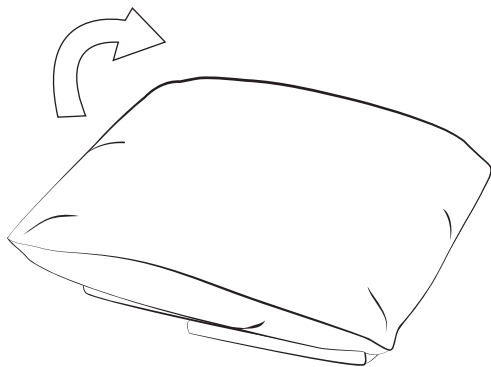
Adjustment of back slant:

1. To adjust the desired position grip the back from the outside and pull it carefully towards yourself.

2. To obtain zero position pull the back carefully beyond the top position towards yourself and fold down into zero position (horizontal).



3. From zero position you can easily snap the back into desired position.



Back cushion Switch, type: OD0001:

SWITCH - THE SPECIAL CUSHION, PUT IT WHEREVER YOU WANT. WITH ONE SWITCH FROM SITTING TO LYING. ORIGINAL EASY SWITCH. FOR A SOFA FEELING IN BED OR ON THE CARPET. AS AN ADDITIONAL BACK FOR DEEP SOFAS.



1. Delivery condition



2. Take the cushion and slide it onto the back frame from the front.



3. The Bullfrog label should be at the bottom right-hand corner.



Seat position



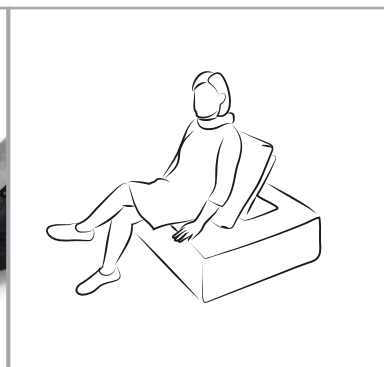
Lying position



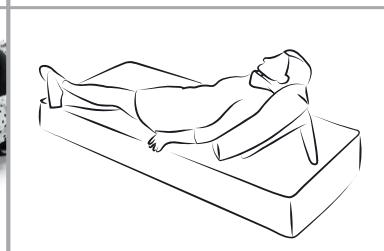
Individually adjustable seating comfort by moving the cushion.



Seat position

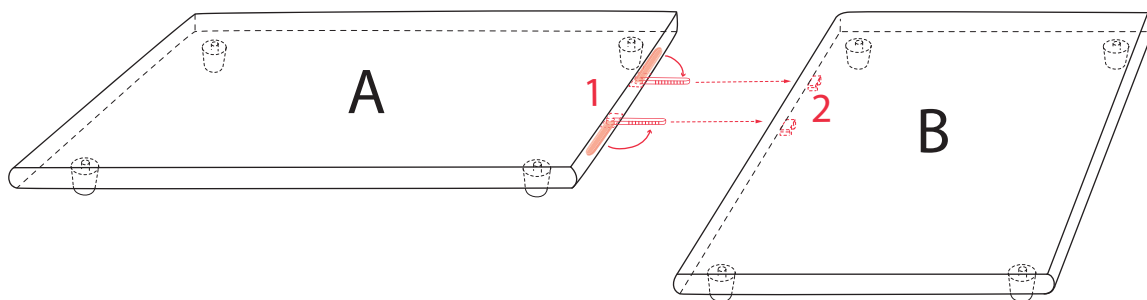


Lying position

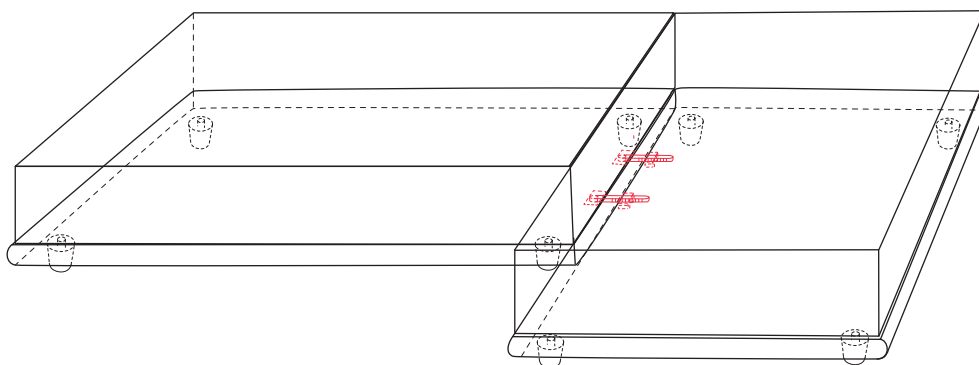


Element connectors (for an extra charge):

1. Turn connector ratchet 1 of element A to the outside.
2. Firmly push together part A and B, until connectors 1 catch into connectors 2 (clicking sound must be audible!).



3. Place upholstery on the plateau.



4. For disassembly, lift part B slightly with the connectors 2 and pull it away.

