

# ASSEMBLY AND INSTRUCTION MANUAL

## MODEL 6660 CAYMAN

© 2010 KURT BEIER & KATI QUINGER



Place individual



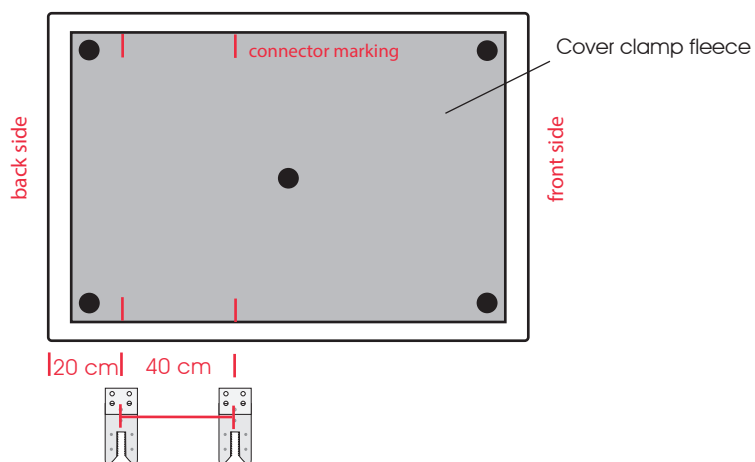
Modern look



Soft stitched workmanship

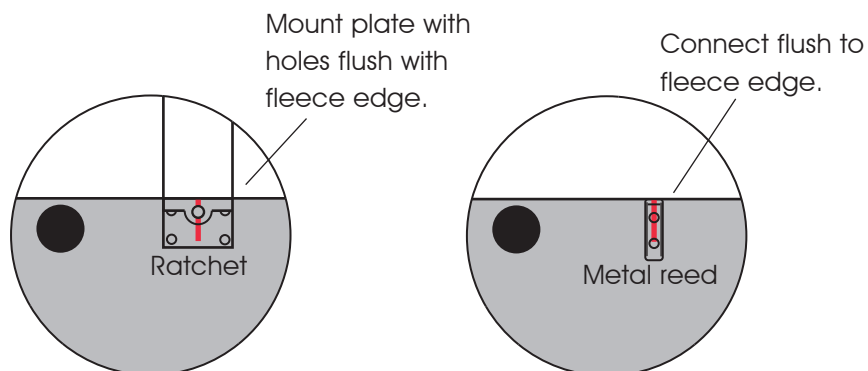
## Mounting of connectors

To interconnect several elements you have to mount the supplied connectors at the bottom of the elements. In order that you mount the connectors at the right position it is colourmarked with helper lines. There are 2 helper lines per connector side (see figure).



The connectors distance from the back side are 20 cm (centrif of connectors).  
The distance between the connectors is 40 cm center-center.

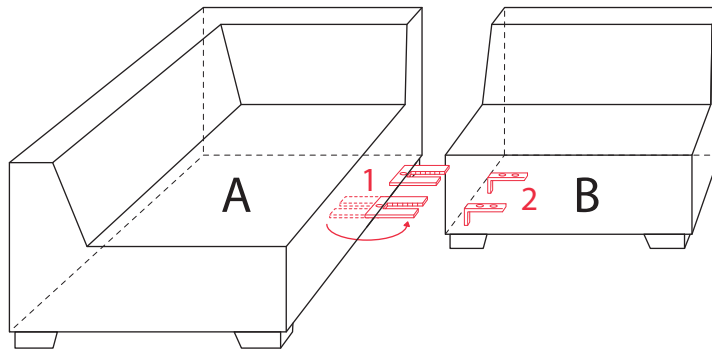
At first element must be attached 2 metal reeds, at the second element 2 ratchets.



## Mounting of connectors

---

1. Position the elements at the place supposed to stay.



2. Turn connector ratchet 1 of element A to the outside.
3. Firmly push together part A and B, until metal guides 2 catch into guides 1.
4. In case of dismounting lift part B with the metal guides 2 and pull away.