

ASSEMBLY AND INSTRUCTION MANUAL

MODEL 2310 YO-YO

© 2023 KURT BEIER & KATI QUINGER



Storage area right and left
Picture above: large area



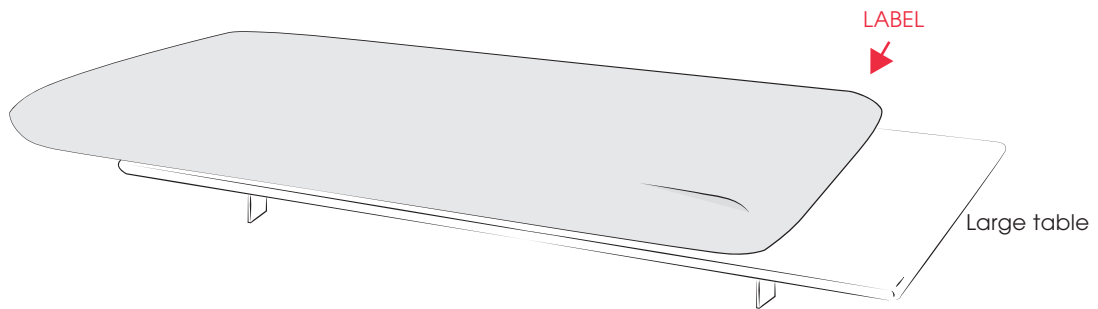
Practical stool



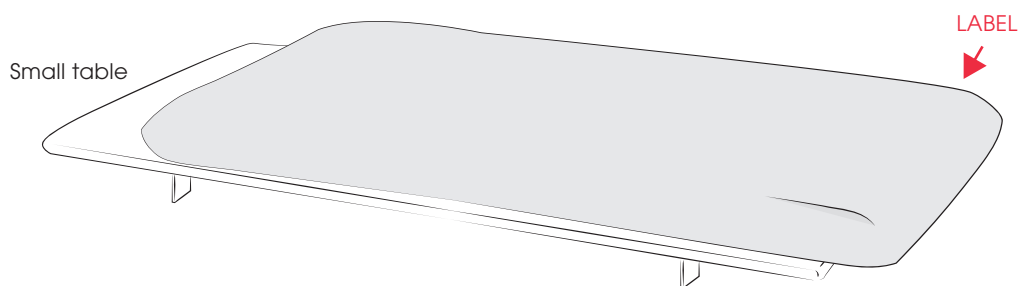
Variable positioning
Moba, functional cushion
in different sizes

Use of the seat adjustment:

Seat upholstery pushed to the left - large table (approx. 65 cm) - label is located at the rear right.



Seat upholstery pushed to the right = small table (approx. 35 cm) - label is located at the rear right.



YO-YO be placed to a corner group without using connectors.

Use of back function, functional back, Moba:

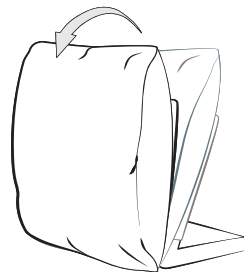


Adjustment of back slant:

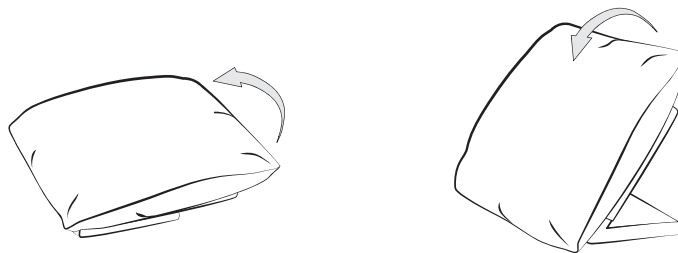
1. To adjust the desired position grip the back from the outside and pull it carefully towards yourself.



2. To obtain zero position pull the back carefully beyond the top position towards yourself and fold down into zero position (horizontal).



3. From zero position you can easily snap the back into desired position.



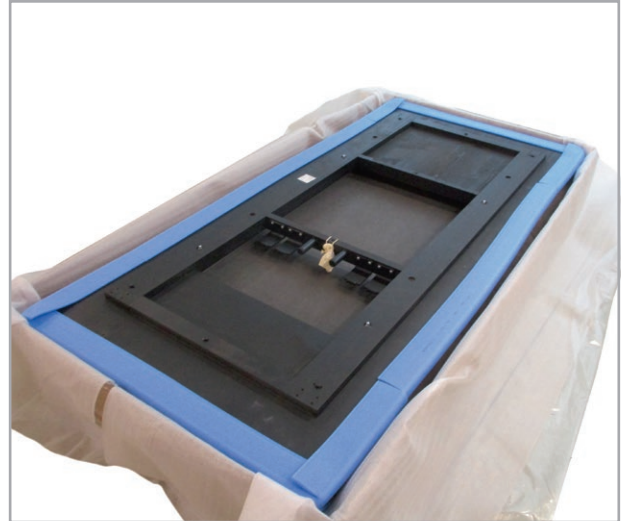
To adjust the upper back of model type 610, proceed the same way.



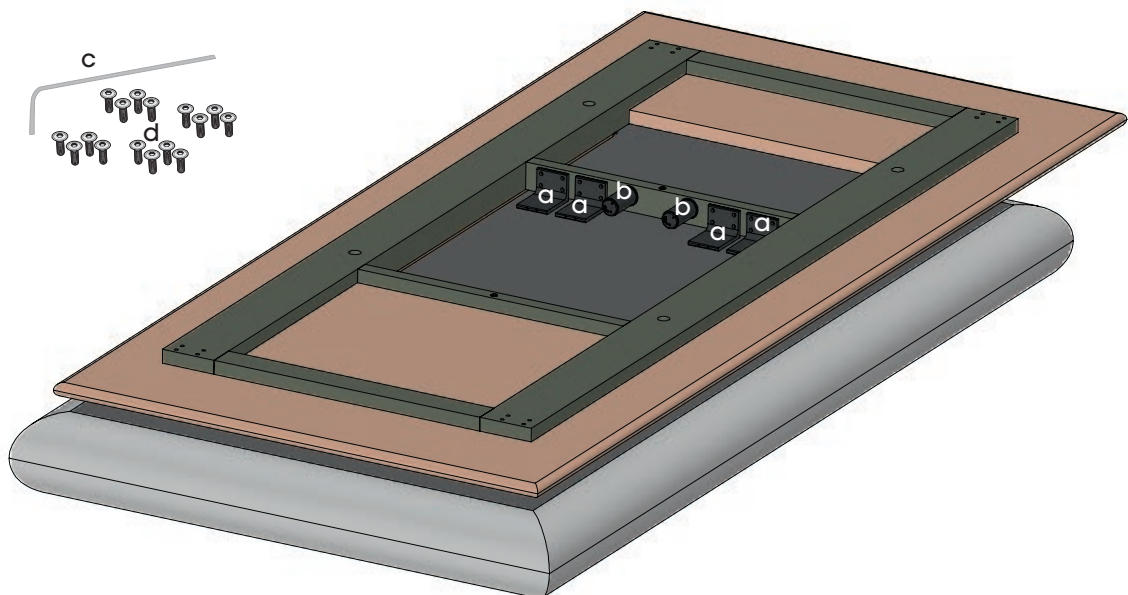
Assembly, angle steel feet (a) and support feet (b) type 49TF/23TF:

ATTENTION! To ensure secure assembly, please observe the individual steps of instruction! The furniture **should always** be mounted in pairs (2 persons)!

1. Position the packed elements at the place supposed to stay and subsequently open the top cover and the packaging. To avoid damage, leave the element with edge protection in the packaging until the feet have been fitted.

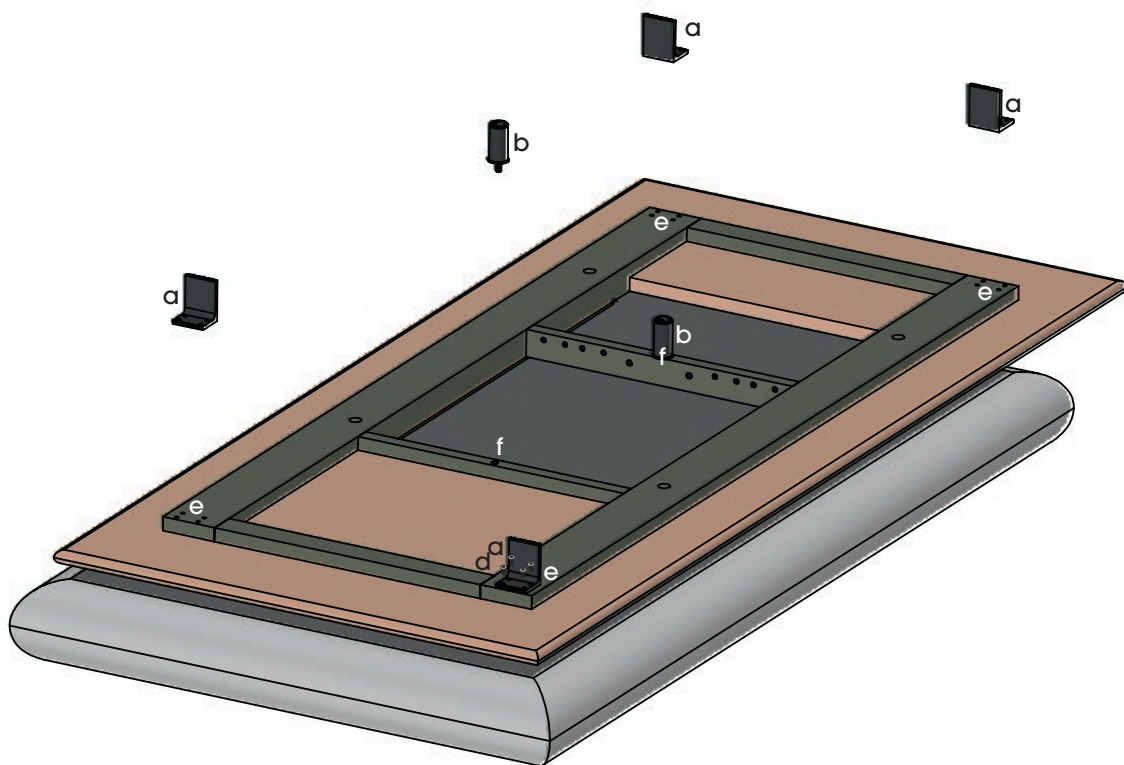


2. Unscrew the 4 feet (a) from the plateau using the Allen key (c) supplied and unscrew also the 2 support feet (b). Lay out the feet and screws (d) removed from the plateau and the screws (d) supplied in front of you.



3. Position each of the 4 Feet (a) on the 4 bores (e) and tighten them with 4 screws.

4. Screw the 2 support feet (b) into the bores (f) provided for this purpose.



5. Remove the edge protection.

6. Carefully tilt the element to one side and then place it on its feet.