

ASSEMBLY AND INSTRUCTION MANUAL

MODEL 1119 DONNA

© 2019 KURT BEIER & KATI QUINGER



Optional, decorative seams



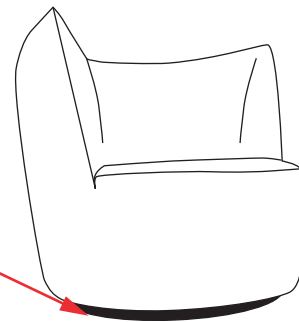
Rotary function



Swing function

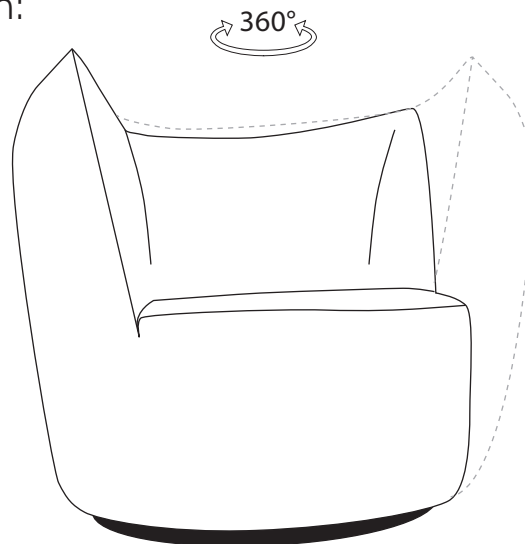
Attention! Safety note:

The base plate is plugged into a conical turning spindle.
For transportation it is absolutely necessary to lift up the
chair at the base plate.

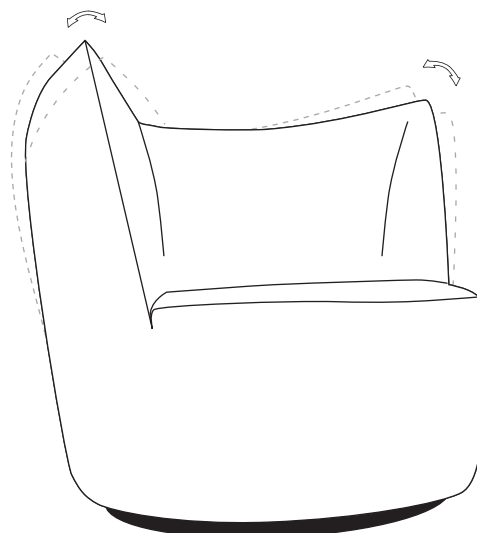


Turning and swing system

360 ° Rotary system:



Swing system:



Attention! Maximum load of turning and swing system: up to 110 kg