

ASSEMBLY AND INSTRUCTION MANUAL

MODEL 0218 SIAMO

© 2018 KURT BEIER & KATI QUINGER



Optional with seat adjustment
(continuously motorised adjustment)
up to reclining position



Practical shelf,
optionally with cushion



With comfortable stool

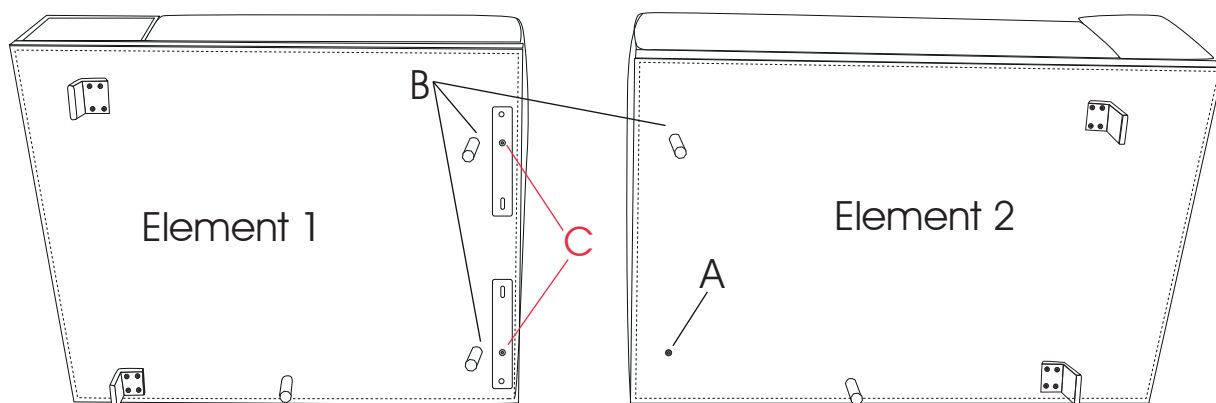
Mounting of connectors

ATTENTION! To ensure secure assembly, please observe the individual steps of instruction!
The furniture should always be mounted in pairs (2 persons)!

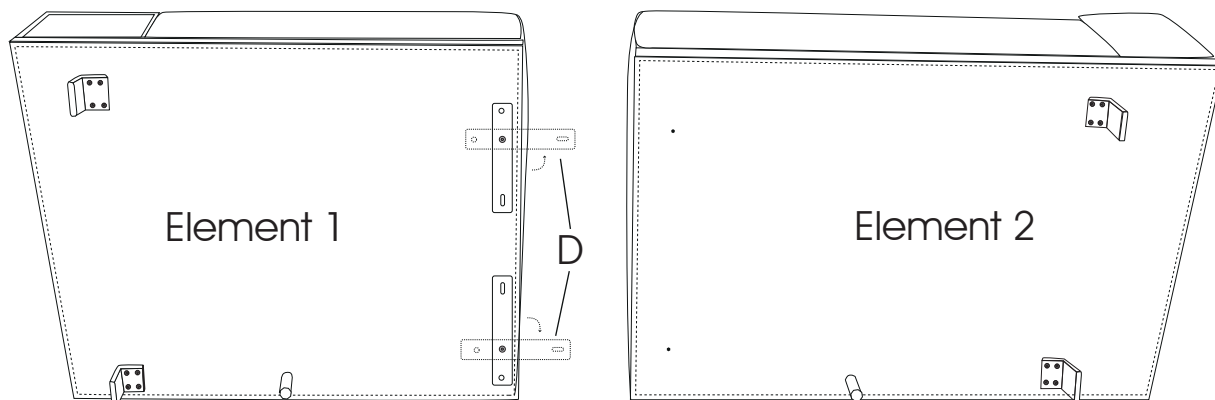
Position the elements at the place supposed to stay and tilt them backwards. To avoid damages at the furniture or at the floor use a suitable support.

Mounting of connectors for type 300 / 300RR / 300RL / 30G / 30RL / 30RR

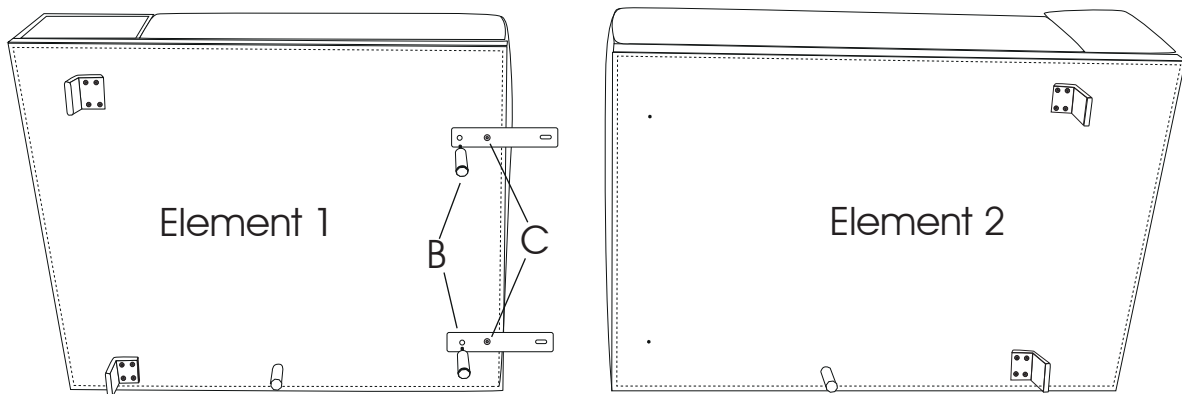
1. Unscrew the bolt (A) from element 2 with the enclosed allen key and the 3 supporting feet (B) from Element 1 and 2.
2. Loosen the 2 bolts (C)



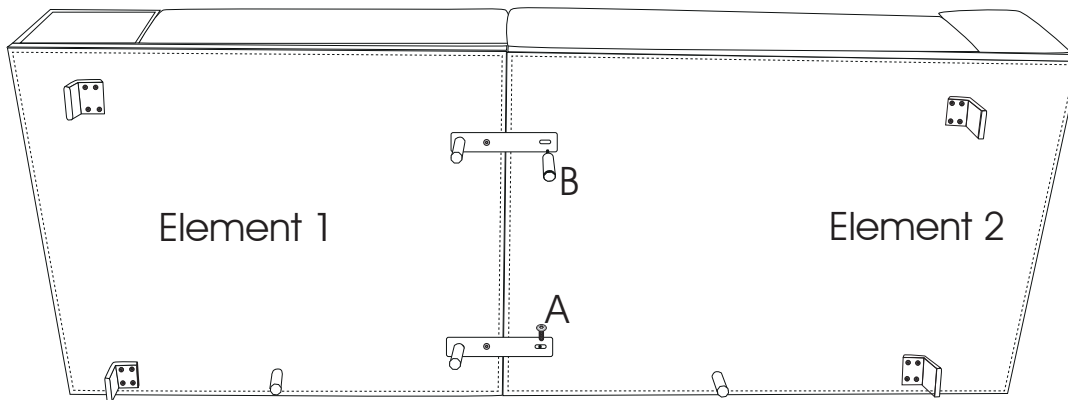
3. Turn the connectors (D) of element 1 horizontal.



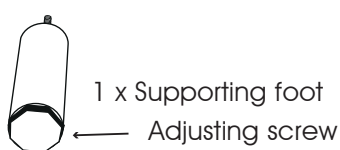
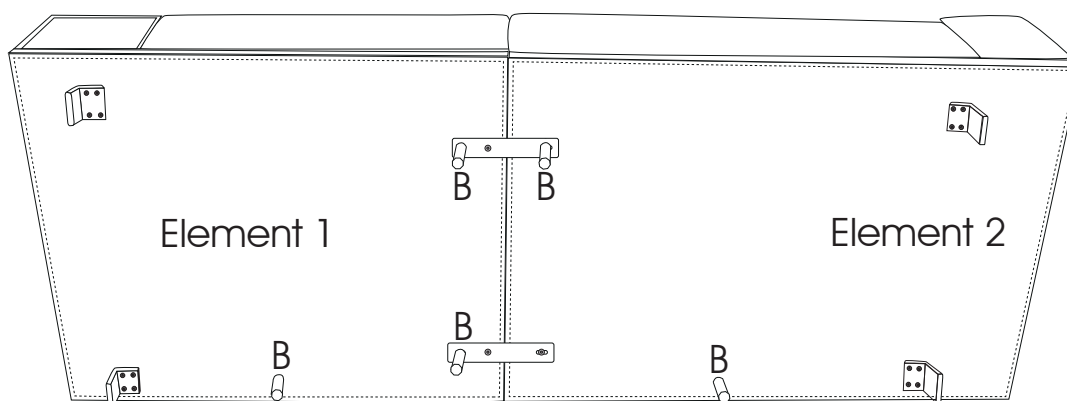
4. Screw in the 2 supporting feet (B) of element 1 again and tighten the 2 bolts (C).



5. Telescope the 2 elements completely and screw in the third supporting foot (B) and the bolt A again in element 2.



6. Adjust the plastic setscrew of the 5 support feet (B) at floor level.

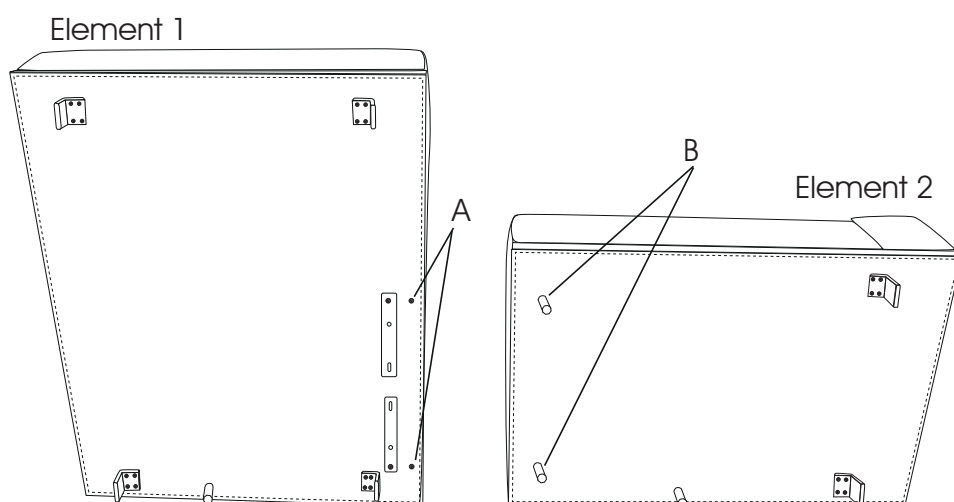


7. Tilt mounted sofa forward on its feet!

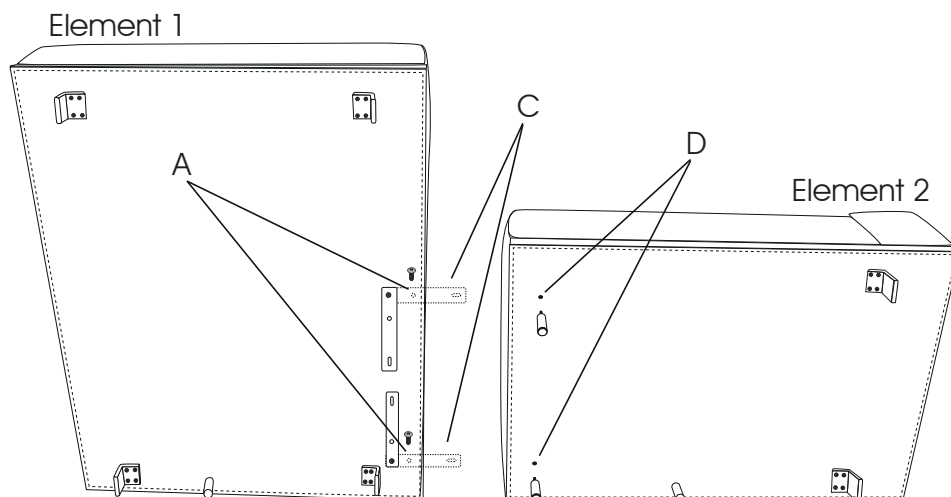
Mounting of connectors for all further combinations:

ATTENTION! To ensure secure assembly, please observe the individual steps of instruction!
The furniture should always be mounted in pairs (2 persons)!

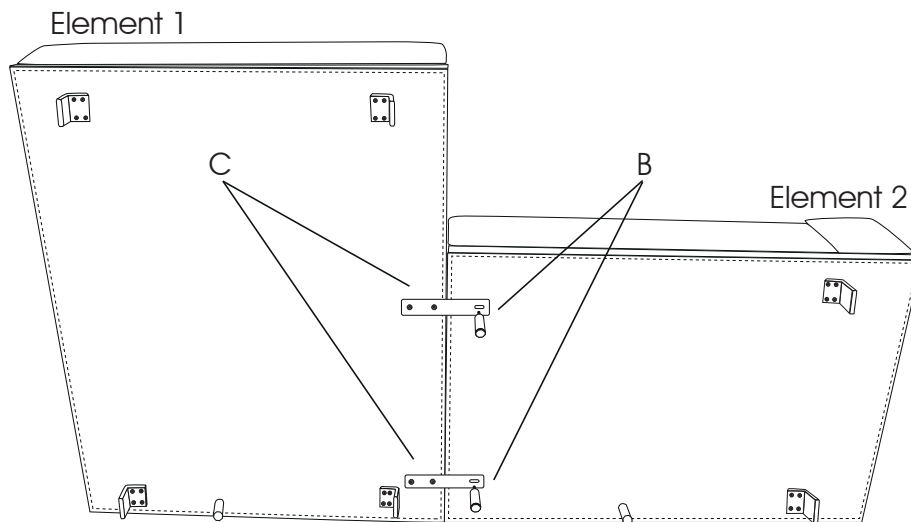
1. Position the elements at the place supposed to stay and tilt them backwards.
2. Unscrew the 2 bolts (A) from element 1 with the enclosed allen key and the 2 support feet (B) from element 2.



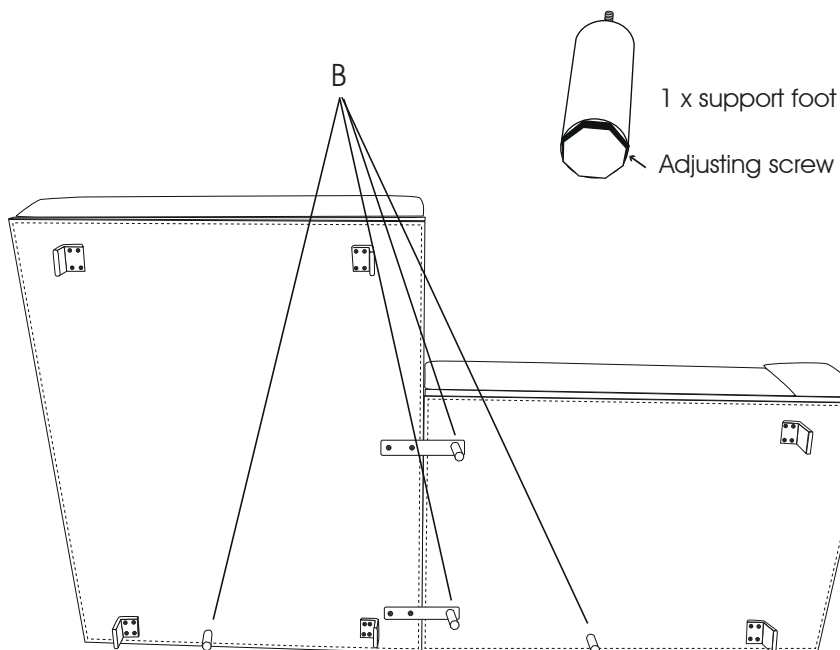
3. Turn the connectors (C) of element 1 horizontal above the screw threads (A). Then tighten the bolts (A) firmly again with the enclosed allen key.



4. Telescope the 2 elements completely and again screw in the 2 support feet (B) through the oblong holes of connectors (C) at element 2.

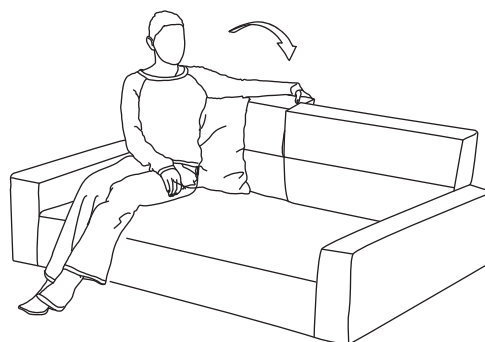
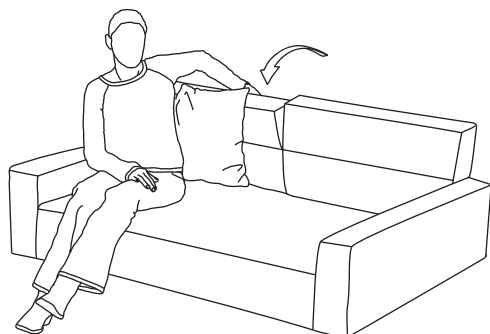


5. Adjust the plastic setscrew of the 4 support feet (B) at floor level.



6. Tilt mounted sofa forward on its feet.

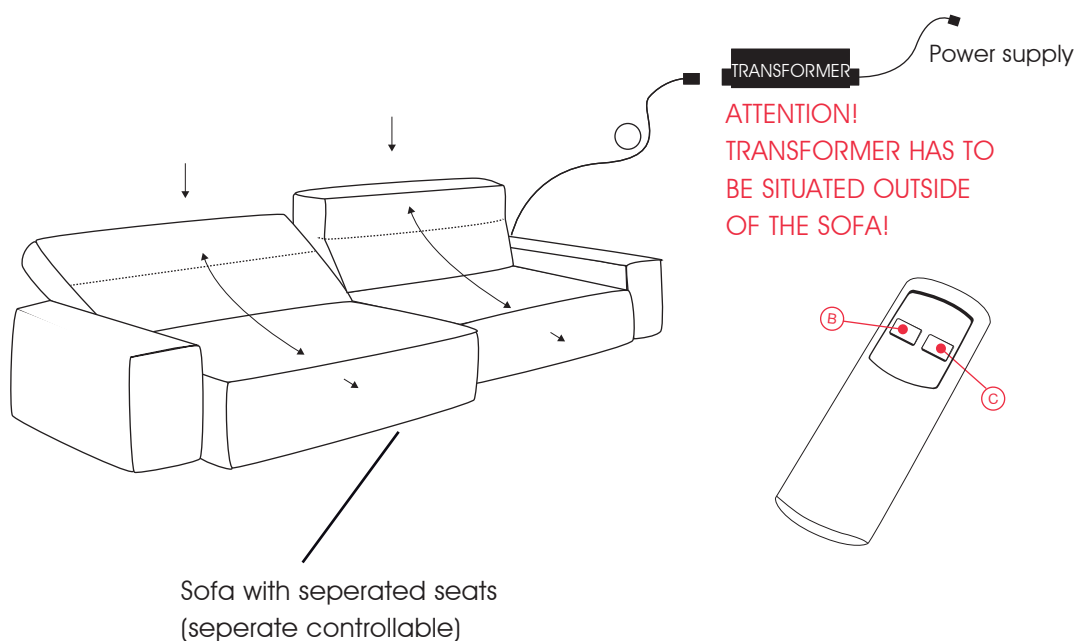
Use of functional headrest:



Regardless of the motorised adjustment, the upper back can be adjusted manually.

Motorised seat adjustment (for types with seat adjustment):

1. Connect cable A (fixed at seat element) to provided transformer and plug it into socket.
2. Press button B and C at remote control to move seat continuously up to relax position. The upholstery moves forwards or backwards.



ATTENTION! DON'T SIT ON BACK!

Motorised seat adjustment - Programming of transmitter and receiver

Delivery condition: already synchronised

December 2017

Brief instruction, Pairing-Method:

Should a new start-up of remote control be necessary the wireless communication with the control/motor must be established. Proceed as follows:



1. Press pairing buttons **A** at receiver 2 x until the LED indicates. The pairing process is active for about 10 seconds.

2. Press simultaneous button **B** and **C** at remote control until the green LED starts to flash. The flashing confirms a successful pairing process.

Note:

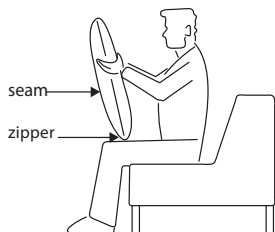
For the pairing process the distance between transmitter and receiver should be less than 2 metres.

The programming is completed, the transmitter is now ready for operation. If the motor doesn't start while pressing, release the button and press again. If necessary retry the process.

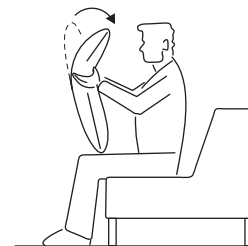


Put drive systems into operation successively, **don't** operate several systems simultaneous. Otherwise the remote control cannot be assigned clearly by control/motor.

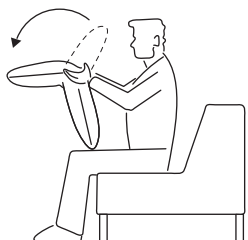
FUNKI - how it works!



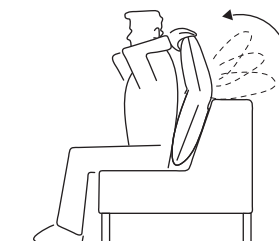
1. Take the cushion at its upper side and put the cushion on your knees with the zipper on the bottom. The seamless side faces you.



2. Move the upper part of the cushion towards yourself until the final position is reached.



3. Now you are able to move the upper part backwards until the upper part of the cushion will click into place in the zero position.



4. Now put the cushion in the preferred position (e.g. in the back, seamless side in front and zipper at the bottom). By pulling the upper part of the cushion towards yourself, you are now able to choose among 16 raster positions, however you like it.